

Pressure Gauges

63 mm Diameter

Heavy duty glycerine filled pressure gauges with hermetically sealed brass case to prevent leakage and condensation. Gauges are glycerine filled for longer life and good dampening on pulsating pressures which occur in hydraulic Systems.

The case also incorporates a safety blow-out plug which relieves in the event of accidental overload. Gauges have dual scale bar and psi to BSEN 837.1. Accuracy $\pm 1.6\%$ of full scale at 20 °C.

Image representative of range only



Milwaukee, WI 53235, USA
Tel: +1 (414) 769-6400
sales-us@webtec.com

St. Ives, Cambs. PE27 3LZ, UK
Tel: +44 (0) 1480 397 400
sales-uk@webtec.com

www.webtec.com

Features

- 63 mm (2 1/2") Diameter
- Dual scales bar and psi
- Glycerine filled
- 1/4" BSPP connection
- Bottom or centre back connection

Hydraulic measurement and control

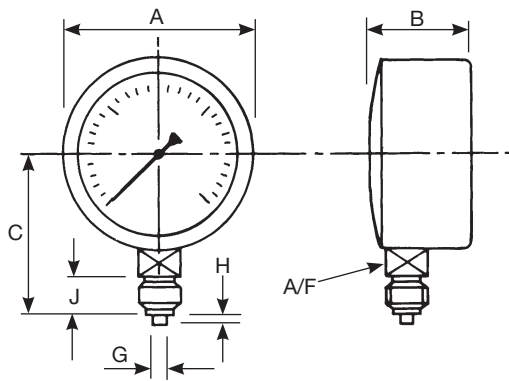


Certificate No.8242

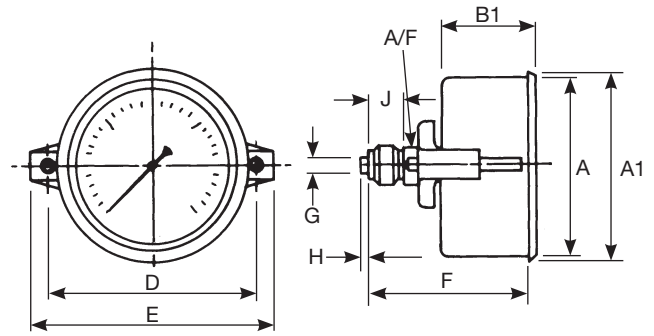
GAUGE-BU-ENG-0688.pdf
(Issue 3)

08/14

Bottom connection



Centre back connection



Nominal sizes

	A	A1	B	B1	C	D	E	F	G	H	J	A/F
mm	63	78	31	31	53	72	86	50	5	2	13	14
Inches	2.5	2.7	1.2	1.2	2.1	2.8	3.4	2	0.2	0.1	0.5	0.6

Specifications

Bottom connection			Centre Back Connection		
Pressure Range		Part Number	Pressure Range		Part Number
1st scale: bar	2nd scale: psi		1st scale: psi	2nd scale: bar	
2	29	FT 5274-14	30	2	FT 5627-7
4	58	FT 5274-13	60	4	FT 5627-8
10	140	FT 5274-1	100	7	FT 5627-14
20	290	FT 5274-2	160	10	FT 5627-15
40	580	FT 5274-3	200	14	FT 5627-10
70	1000	FT 5274-6	400	25	FT 5627-16
140	2000	FT 5274-5	500	35	FT 5627-13
200	2900	FT 5274-7	1000	70	FT 5627-1
280	4000	FT 5274-8	2000	140	FT 5627-2
350	5000	FT 5274-12	3000	200	FT 5627-3
400	5800	FT 5274-4	4000	280	FT 5627-4
700	10000	FT 5274-11	5000	350	FT 5627-5
-	Rubber Cover	FT 2321	6000	400	FT 5627-6
			8500	580	FT 5627-18