

HV Series

Load Valve

The HV series of loading valve gives smooth progressive pressure control in both flow directions allowing components such as cylinders or motors to be tested without re-plumbing the test connections.

The valve features a gauge port which is ported to the inlet (in the forward direction). Combined with our flow meters, the HV series loading valve makes testing hydraulic components and circuits on a wide range of agricultural, industrial and mobile equipment fast, efficient and safe.

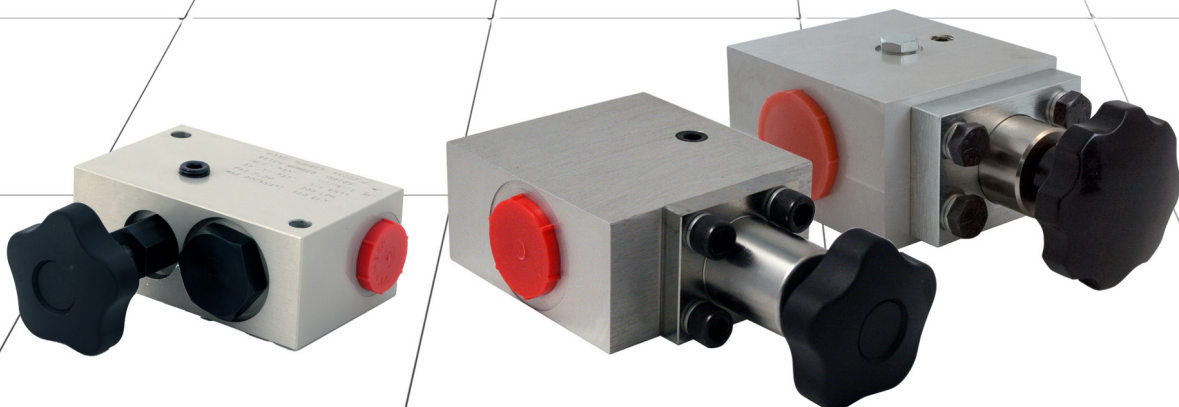
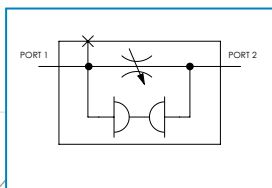
All HV series feature Webtec's unique loading valve with built-in Interpass® safety protection system and operate if maximum pressure is exceeded. Replacement safety discs are supplied with the unit.

Please note that the HV Series are designed for loading a system and are not suitable as a shut-off valve to hold a static load.

Specifications

Maximum Rated Pressure:	420 bar, 6,000 psi
Maximum Rated Flow:	Up to 800 L/min, 210 US gpm
Ambient Temperature:	5 to 40 °C, 59 to 104 °F
Fluid Temperature Range:	0 to 120 °C, 32 to 248 °F
Compatible Fluids:	Mineral oils to ISO 11158. Other fluids consult sales office.
Porting:	BSPP, SAE
Material:	Body Materials: Aluminium
	Internal Materials: Steel
	Seals: FKM (others available on request)

Symbol:



Make it **BLUE**®

Features

- Bi-directional loading
- Interpass® safety protection system, bypasses oil internally in the event of the valve being over pressurised in either flow direction.
- Smooth progressive pressure control
- High tensile aluminium body rated at 420 bar, 6000 psi
- Easy to retro-fit

Sales Order Code

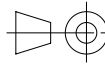
Please contact our technical sales team to discuss any special order requirements

MODEL NUMBER	FLOW RANGE		PORT 1	PORT 2
	L/MIN	US GPM		
HV200-B-N-6	200	50	1-1/16" -12UN #12 SAE ORB	3/4" BSPP
HV200-S-N-6	200	50	1-1/16" -12UN #12 SAE ORB	1-1/16" -12UN #12 SAE ORB
HV400-S-N-6	400	100	1-5/16" -12UN #16 SAE ORB	1-5/16" -12UN #16 SAE ORB
HV800-S-N-6*	800	210	1-7/8" -12UN #24 SAE ORB	1-7/8" -12UN #24 SAE ORB

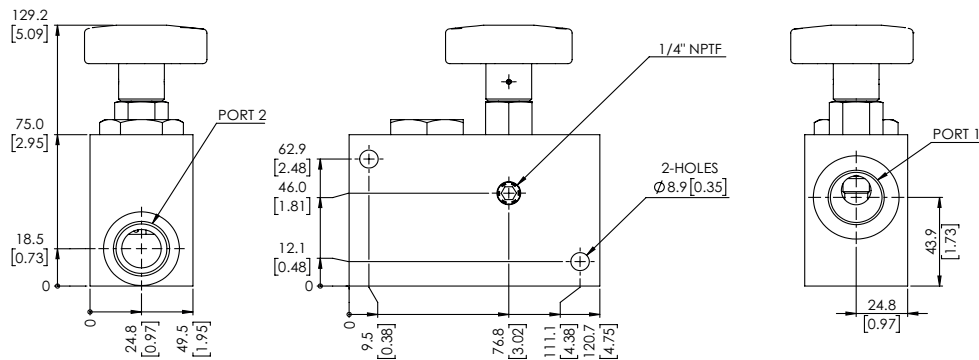
* Pressure control is limited below 86 L/min, 23 US gpm to: Max pressure (bar) = 5 times the flow (L/min) +30.

Note: HV1500 kits are also available for flow ranges up to 1500 L/min, 400 US gpm. Please contact our sales team for further information. Each Valve is supplied with 4 spare burst discs.

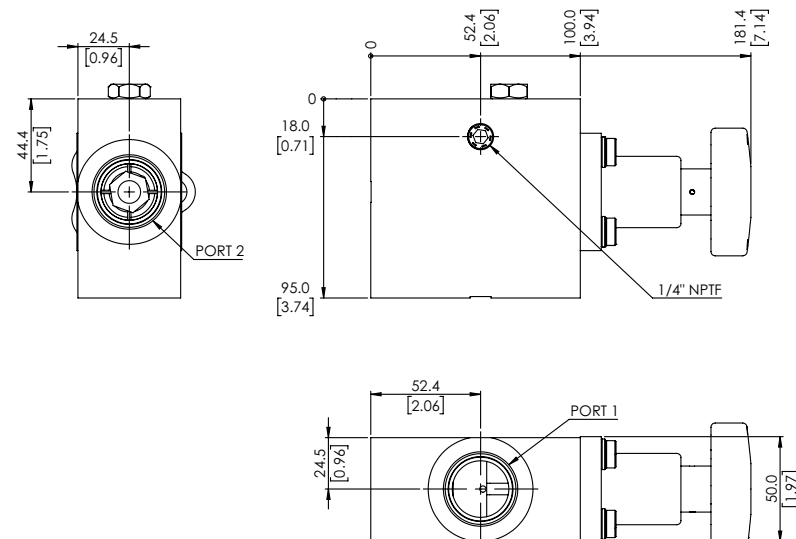
Installation Details Dimensions in mm [Inches]

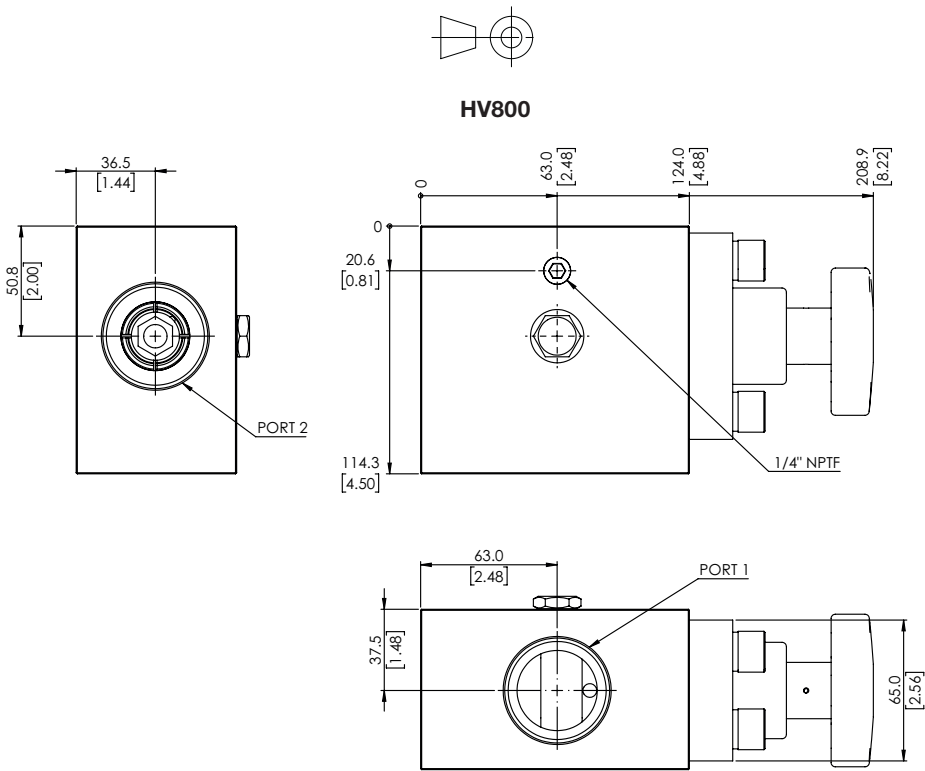


HV200



HV400





Accessories / Options

CT: range of turbine flow blocks - from 1 to 1500 L/min (0.25 - 400 US gpm) see separate bulletin

Pressure gauges

Test points

Replacement burst discs: 6000 and 3000 psi

HV1500 kit

Webtec® reserve the right to make improvements and changes to the specification without notice
Webtec®, Make it BLUE®, FlowHUB®, ViscoCorrect®, Interpass® and QuickCert® are registered trademarks of Webtec Products Limited.