

Custom Pressure test kits

A range of pressure test kits manufactured to your specification

Make it **BLUE**[®]

Features

- Custom built to your specification - pick and mix from huge range.
- The kit includes gauges, hoses, test points and adaptors.
- Provides a complete test system for rapid pressure testing.
- Pressure test points can be fitted anywhere in the circuit for instant pressure checks saving installation costs of piping and gauges.
- Test hoses can be connected by hand under full system pressure without loss of oil or ingress of dirt. Ideal for taking oil samples and bleeding air.
- The case provides ample storage. The gauge panel can be removed for convenient use while testing. (PT4 and PT6 only)



Order Specification Sheet

Choose kit type

KIT	PART NUMBER	QTY. REQUIRED
PT200-2	FT9213	
PT100-4	FT5823	
PT100-6	FT7915	

PT200-2 Contents

ITEM	SEE TABLE	QTY
Compact Case	-	1
Pressure Gauge	1	2
High Pressure Micro-bore Hose	2	1
Pressure Test Point	3	1
Adaptor Fittings	4	2

PT100-6 Contents

ITEM	SEE TABLE	QTY
Metal Case**	-	1
Pressure Gauge	1	6
High Pressure Micro-bore Hose	2	6
Pressure Test Point	3	6
Adaptor Fittings	4	4

PT100-4 Contents

ITEM	SEE TABLE	QTY
Metal Case*	-	1
Pressure Gauge	1	4
High Pressure Micro-bore Hose	2	2
Pressure Test Point	3	4
Adaptor Fittings	4	4

** removable gauge panel

* removable gauge panel

Table 1: Pressure Gauge

PRESSURE RANGE		PART NUMBER	QTY. REQ'D
BAR	PSI		
0 - 10	0 - 140	FT5274-1	
0 - 20	0 - 290	FT5274-2	
0 - 40	0 - 580	FT5274-3	
0 - 70	0 - 1000	FT5274-6	
0 - 140	0 - 2000	FT5274-5	
0 - 200	0 - 2900	FT5274-7	
0 - 280	0 - 4000	FT5274-8	
0 - 400	0 - 5800	FT5274-4	

Note:
Glycerine filled
Scale in both bar and psi



Table 2: High Pressure Micro-bore Hose

LENGTH		PART NUMBER	QTY. REQ'D
mm	Inch		
300	12	FT9128-030	
1000	39	FT9128-100	
2000	78	FT9128-200	
2500	98	FT9128-250	
4000	157	FT9128-400	

Note:
Pressure rating 420 bar, 6000 psi at 50°C, 122°F.
Minimum bend radius 18mm
M16 x 2 thread connections

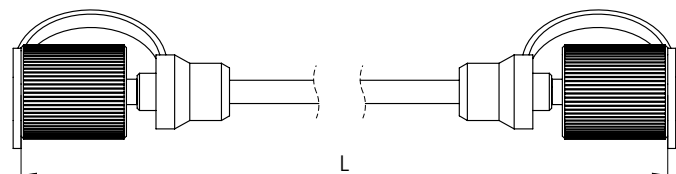
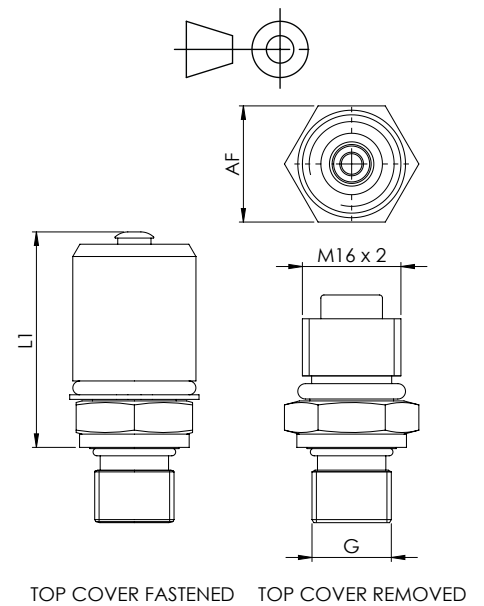


Table 3: Pressure Test Point

PRESSURE CONNECTION, G	L1		AF		PART NUMBER	QTY. REQ'D
	mm	Inch	mm	Inch		
1/8" BSPT	36	1.41	17	0.66	8172675	
1/8" BSPP	37	1.45	17	0.66	8172671	
1/4" BSPT	36	1.41	17	0.66	8172676	
1/4" BSPP	40	1.57	19	0.74	FT9742-1	
M8 X 1	38	1.49	17	0.66	8172666	
M10 X 1	38	1.49	17	0.66	8172667	
M12 X 1.5	40	1.57	17	0.66	8172668	
M14 X 1.5	40	1.57	19	0.74	8172669	
M16 X 1.5	37	1.45	22	0.86	8172670	
1/8" NPTF***	38	1.49	17	0.66	8112618	
1/4" NPTF***	40	1.57	17	0.66	8172677	
7/16" -20UN #4 SAE ORB Male	38	1.49	17	0.66	FT9738-1	
9/16" -18UN #6 SAE ORB Male	40	1.45	19	0.74	8172678	
1/2" -20UN #5 SAE ORB Male	37	1.57	17	0.66	FT6777	

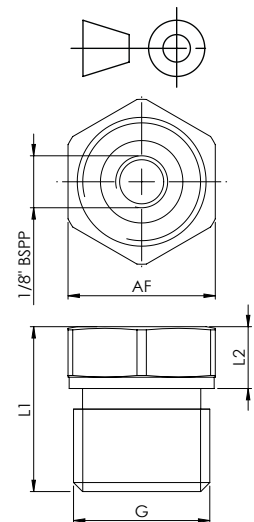

Note:

Pressure rating 400 bar, 5800 psi.

***Threads are to ANSI B1.20.3 -1976 Class 1. As stated in the standard it is recommended that "sealing is accomplished by the means of a sealant applied to the thread".

Table 4: Adaptor Fitting

THREAD, G	L1		L1		A/F		PART NUMBER	QTY. REQ'D
	mm	Inch	mm	Inch	mm	Inch		
3/8" BSPP	25	0.98	12	0.47	25	0.98	FT1609	
1/2" BSPP	27	1.06	10	0.39	25	0.98	FT2771	
3/4" BSPP	32	1.25	10	0.39	32	1.25	FT5305	
M18 X 1.5	27	1.06	12	0.47	25	0.98	FT5306	
9/16" -18UN JIC Male	28	1.10	15	0.59	19	0.74	FT1607	
3/4" -16UN JIC Male	25	0.98	8	0.31	25	0.98	FT1606	
7/8" -14UN JIC Male	31	1.22	10	0.39	25	0.98	FT1605	


OPTIONS
Coupling to connect two hoses: Part number 8173667

Spare gauge connector: Part number 8112625